

# Fiber Optic Splicing Pod

## **SB-02 Truck Capsule:**

8' Full Size slip-in service capsule

- 60/40 Rear Doors
- 74" Interior Height

## **Drivers Side:**

- 1 x 84" Black Steel Work Bench with shelf
- 2 x Duplex Power Outlets
- 1 x 30" Power Bar Installed on Splicing Bench Backsplash
- 1 x Sliding Window w/ screen
- 1 x External Locking Side Mounted Ladder Rack
- 1 x Custom Rear Cable Access Door
- 2 x 18" LED lighting above workbench

## **Passenger Side:**

- 1 x 4-Tier Aluminum Shelving Unit (48") w/locking door & dividers
- 2 x Fixed Hooks
- 1 x Generator Compartment with exterior locking door and heavy duty slide out tray - rain gutter installed over top of generator compartment door
- 1 x Carbon Monoxide Alarm
- 2 x Duplex Power Outlet (1x GFCI - Ground Fault Circuit Interrupter)
- 1 x Grab Handle for 3 Point Access when Entering From Rear

## **Roof:**

- 1 x LED Amber Beacon Light
- 1 x Rooftop Air Conditioning Unit, Low Profile, 9200 BTU/HR
- 1 x High Output LED outdoor work lamp at rear

## **Electrical:**

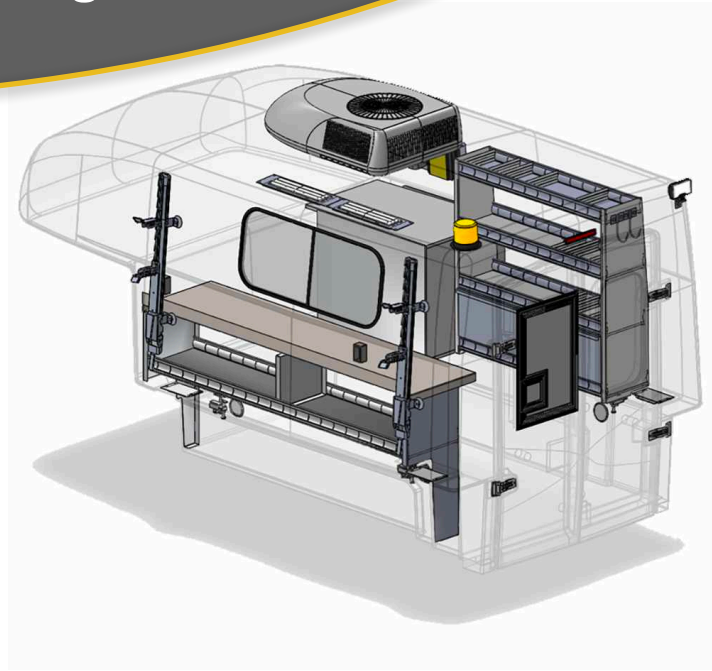
- 120V Power Distribution System, circuit for AC
- 12VDC Auto-charger, powers 12VDC loads when generator is running
- Wiring and switch panel for cab controls
- Backup Camera which connects to factory system

## **Optional Equipment:**

- 12" x 84" overhead tray on Driver's Side
- 48" Directional Arrow Bar
- 4LED Strobes on Cap, switch @ rear passenger side
- Rear Hitch Step (like in Picture 3)
- Rear Passenger Window (like in Picture 2)

## **Value Added Features:**

- Lightest Pod Insert on the market
- Shelving is designed in-house and is the lightest & strongest on the market. -Shelving can hold 250 lbs per box.



<https://tcgutility.com>